

# LOFTWALL

# FLOX

## ASSEMBLY INSTRUCTIONS

### Tools



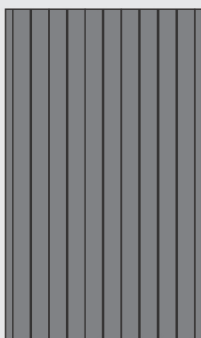
### Bases



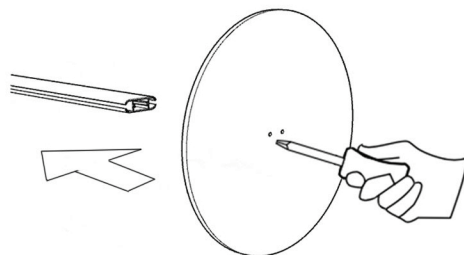
### Posts



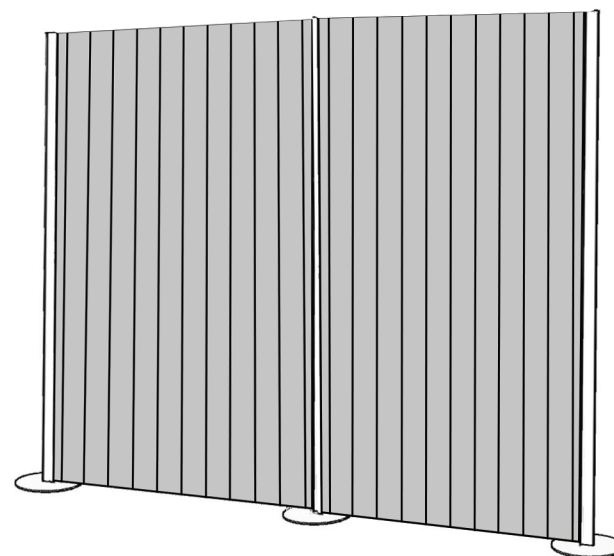
### Panels



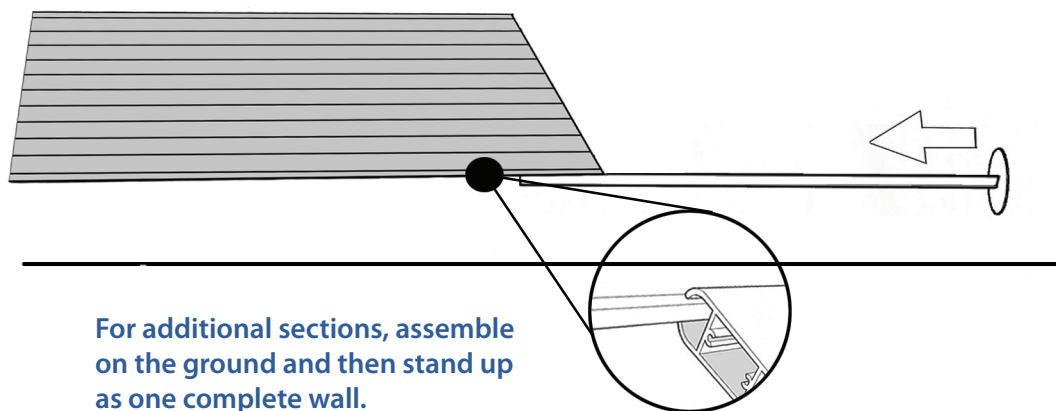
1. Use the screwdriver and screws provided to attach each base firmly to each post.



3. Stand the completed FLOX wall upright.



2. Lay the FLOX panels down and slide on the posts.



For additional sections, assemble on the ground and then stand up as one complete wall.